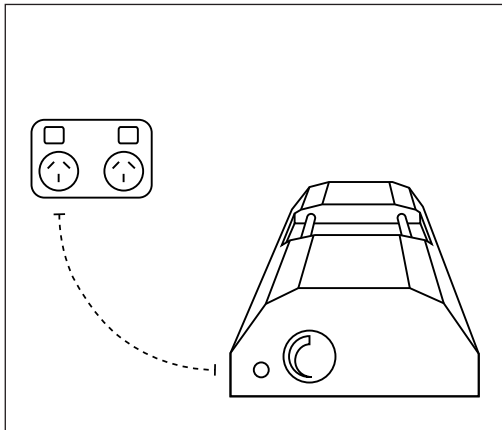


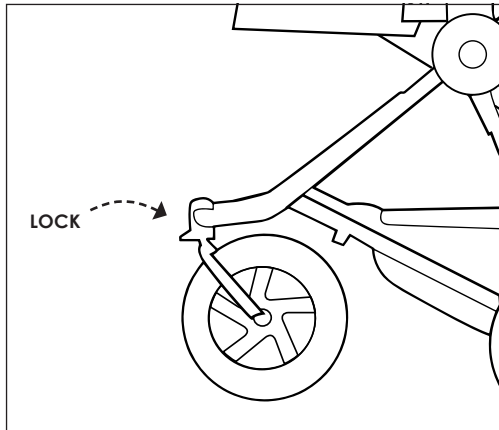


## Quick Set-up Guide

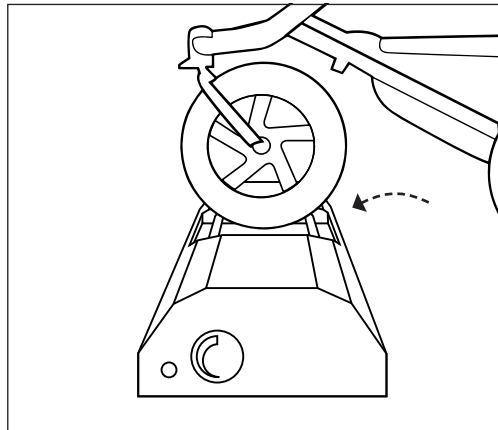
- 1** Plug the chord into a general power outlet and connect to the Pramolla.



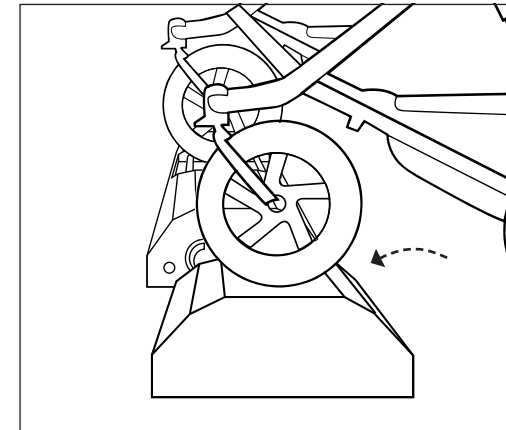
- 2** Lock the swivel function on your pram front wheel.



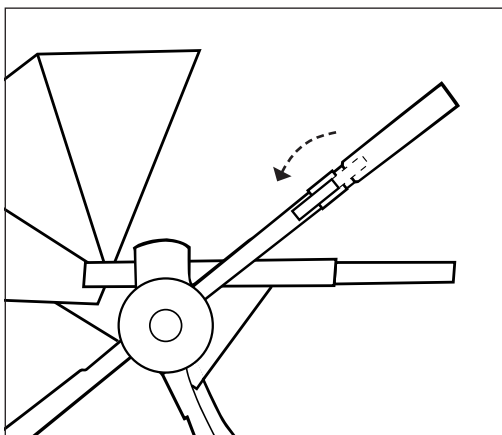
- 3** Place the front wheel in the Pramolla wheel slot, so that it's sitting evenly on both rollers.



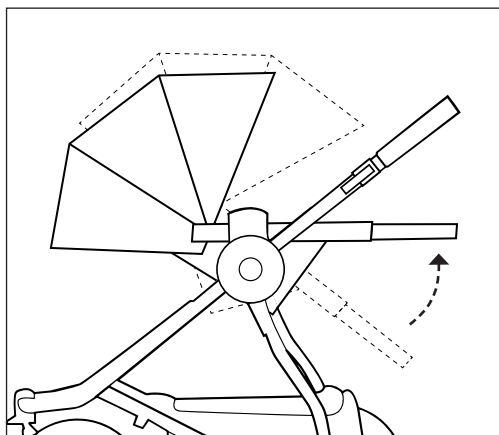
- 4** If using a four wheel pram, place the support block under the stationary front wheel.



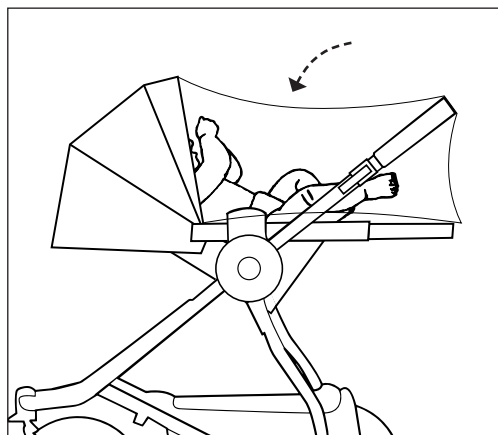
- 5** Activate your pram brake to secure the rear wheels.



- 6** Adjust your pram seat to the reclined sleeping position.



- 7** Place your baby in the pram, secure the harness and install the ventilated sun shade.



- 8** Turn the Pramolla speed control dial clockwise to rotate the wheel.

